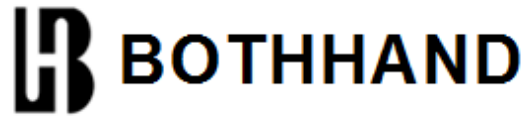
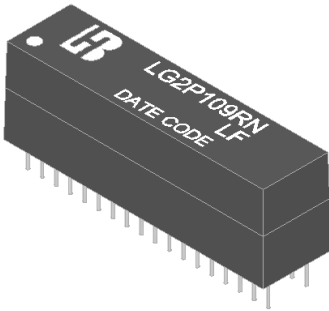


LG2P109RN LF
DIP 1000 BASE-T Single Port Discrete
LAN Magnetics



Feature



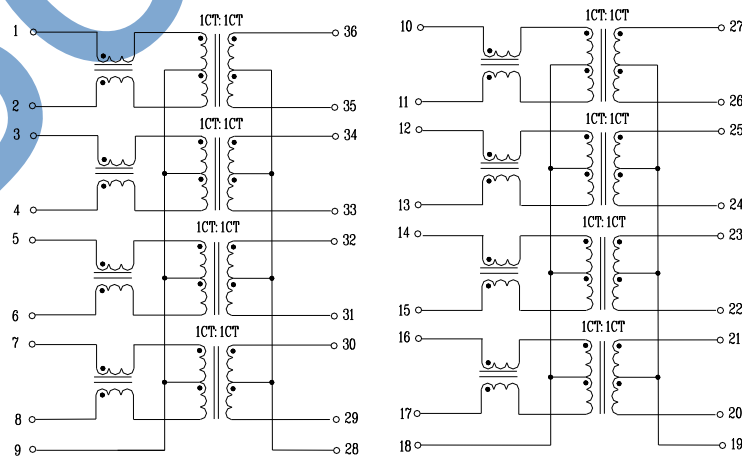
- Magnetic designs to support every PHY.
- Complying with IEEE 802.3ab standards including 350uH min OCL with 8mA bias.
- Complying with ROHS requirements.
- Operating temperature range: 0°C to +70°C.
- Storage temperature range: -25°C to +85°C.

| Electrical Specifications @ 25°C | | | | | | | |
|----------------------------------|-------------------|---------|--|--------------|---------------|-------------|-------------|
| Part Number | Turns Ratio (±5%) | | OCL (uH Min) @100KHz/0.1V with 8mA DC Bias | L.L (uH Max) | Cw/w (PF Max) | DCR (Ω Max) | HI-POT |
| | TX | RX | | | | | |
| LG2P109RN LF | 1CT:1CT | 1CT:1CT | 350 | 0.5 | 96 | 1.2 | AC1500V/1mA |

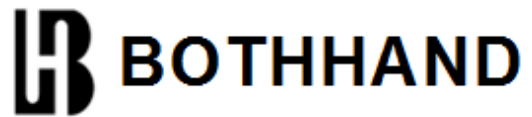
| Continue | | | | |
|--------------|-------------------------|----------------------|-------|-------|
| Part Number | Insertion Loss (dB Max) | Return Loss (dB Min) | | |
| | 1-100MHz | 30MHz | 50MHz | 80MHz |
| LG2P109RN LF | -1.1 | -15 | -13 | -11 |

| Continue | | | | | | |
|--------------|---------------------|----------|-----------|---------------|----------|-----------|
| Part Number | Cross talk (dB Min) | | | DCMR (dB Min) | | |
| | 0.3-30MHz | 30-60MHz | 60-100MHz | 1-30MHz | 30-60MHz | 60-125MHz |
| LG2P109RN LF | -40 | -35 | -30 | -30 | -25 | -20 |

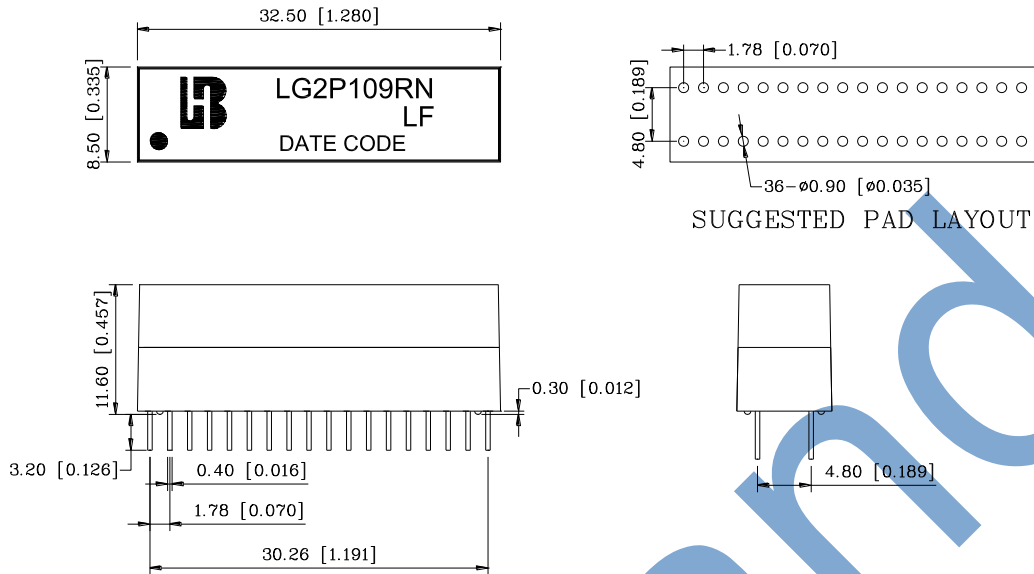
Schematic



LG2P109RN LF
DIP 1000 BASE-T Single Port Discrete
LAN Magnetics

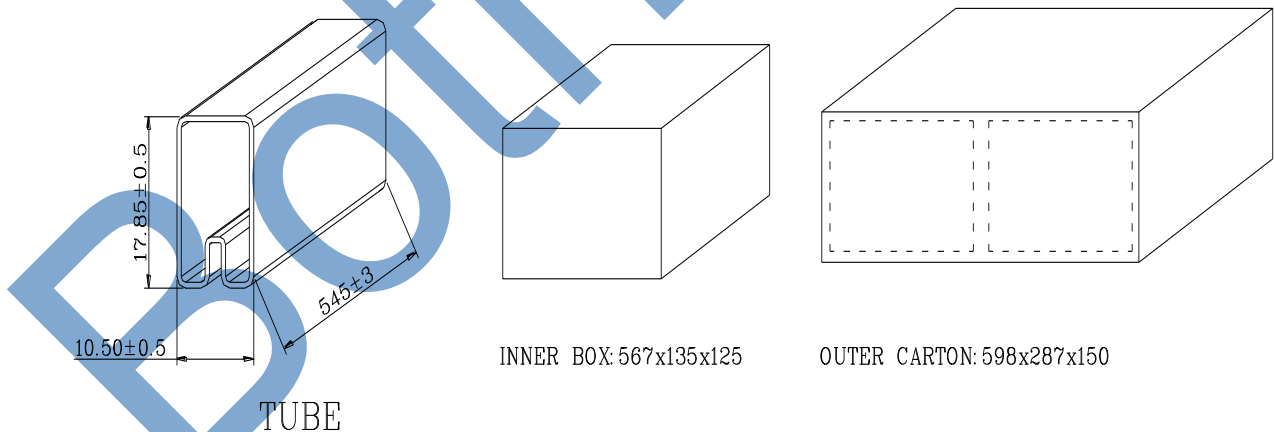


Mechanical



Units: mm[Inches] Tolerances : xx.xx±0.25[0.010]
 0.xx±0.05[0.002]

TUBE PACKAGE



INNER BOX: 567x135x125

OUTER CARTON: 598x287x150

- 1. 1 TUBE=16PCS
- 2. 1 INNER BOX=70TUBE=70x16=1120PCS
- 3. 1 OUTER CARTON=2 INNER BOX=2x1120=2240PCS