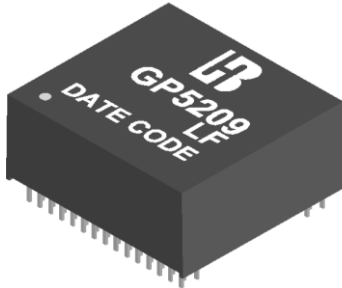


Feature



- Designed for long haul gigabit Ethernet 1000 BASE-T, full duplex applications.
- Supports 16 pairs of category 5 UTP cable.
- Cable interface for isolation and low common mode emissions.
- Complying with IEEE 802.3ab standard for 1000 BASE-T.
- Complying with ROHS requirements.
- Operating temperature range: 0°C to +70°C.
- Storage temperature range: -25°C to +85°C.

Electrical Specifications @ 25°C

Part Number	Turns Ratio (±5%)		OCL (uH Min) @100KHz/0.1V with 8mA DC Bias	L.L (uH Max)	C _{w/w} (pF Max)	DCR (Ω Max)	HI-POT
	TX	RX					
GP5209 LF	1CT:1CT	1CT:1CT	350	0.5	56	1.4	AC1500V/1mA

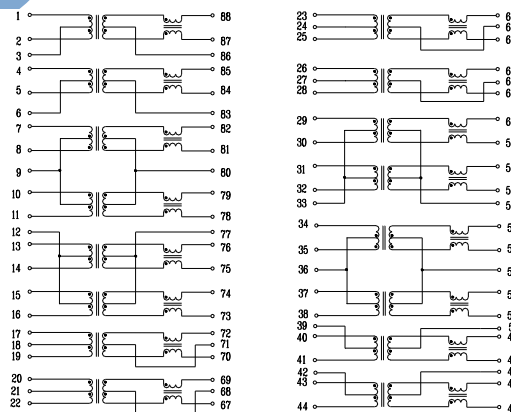
Continue

Part Number	Insertion Loss (dB Max)	Return Loss (dB Min @100Ω)				
		1-100MHz	1-30MHz	40MHz	50MHz	60-80MHz
GP5209 LF	-1.1	-18	-16	-14.08	-12.5	-10

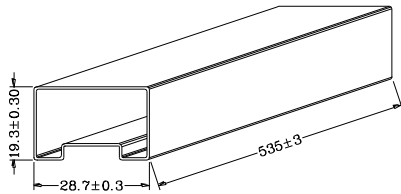
Continue

Part Number	Cross talk (dB Min)			DCMR (dB Min)		
	30MHz	60MHz	100MHz	30MHz	60MHz	100MHz
GP5209 LF	-40	-35	-30	-43	-37	-33

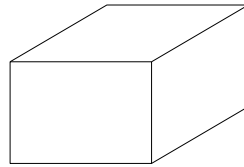
Schematic



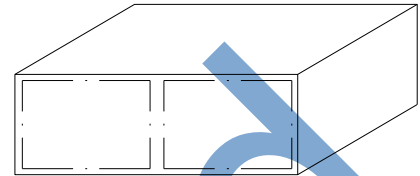
TUBE PACKAGE



TUBE



INNER BOX:567x135x125



OUTER CARTON:598x287x150

- 1.TUBE=17 PCS
- 2.INNER BOX=25 TUBE=20x17=340 PCS
- 3.OUTER CARTON=2 INNER CARTON=2x350=680 PCS

Bothhand